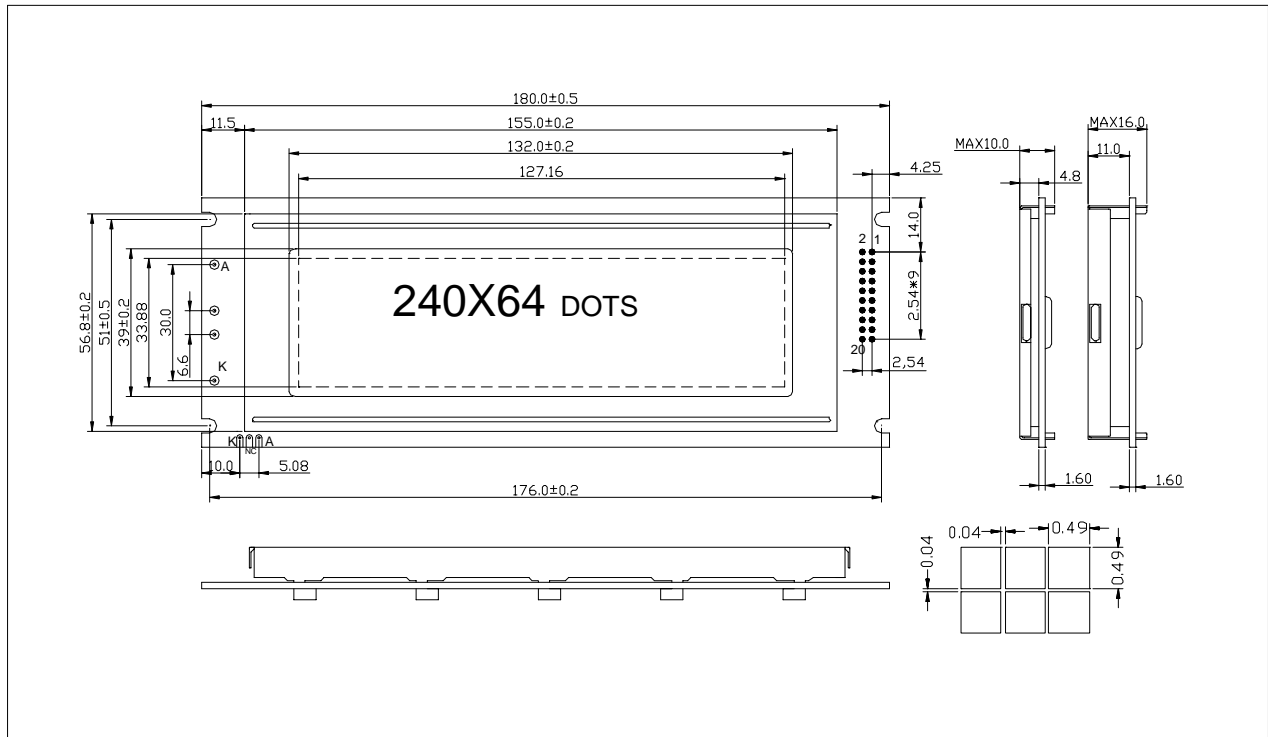
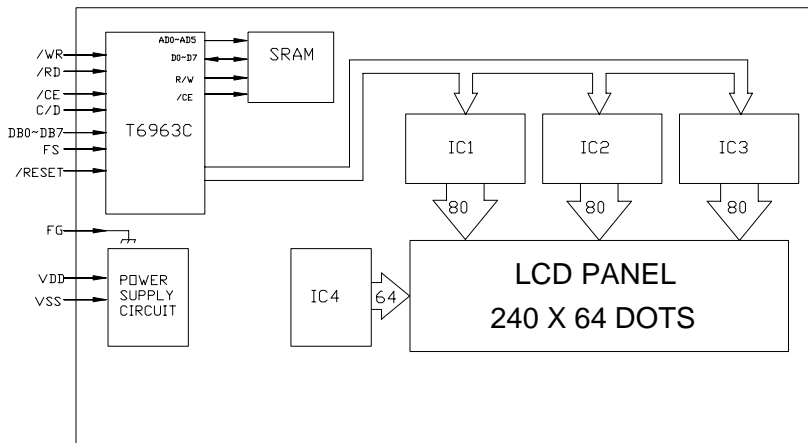


- * 240 x 64 Dots
- * View Angle (6:00)
- * 1/64 Duty
- * LED Backlight ((Yellow-Green)
- * Transflective
- * STN (Yellow-Green)
- * Controller/Driver (T6963C)
- * Operating Temp (0 ~50)

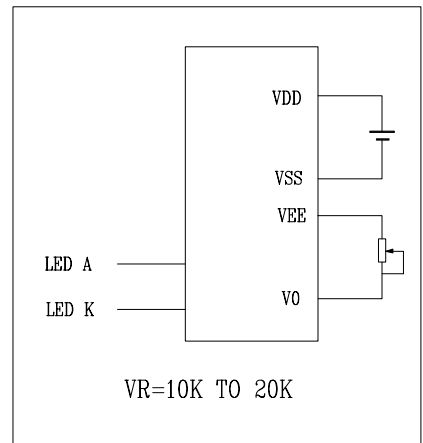
External Dimensions



Block Diagram



Power Supply



Mechanical Specifications

Electrical

Specifications

Item	Description(mm)	Item	Symbol	Min	Typ	Max	Unit
Size	180(L)x65(W)x16.0(H)	Supply Voltage for Logic	VDD	4.75	5.0	5.25	V
V.A	132(L)x39(W)	Supply Voltage for LCD	VLCD 1	1.0	12.5	13.5	V
Dot Pitch	0.53x0.53	Supply Current for Logic	IDD		10.0	20.0	mA
Dot Size	0.49x0.49	Supply Current for CCFL	IF			675	mA

Interface Signals---- J1

Pin	Symbol	Level	Description	Pin	Symbol	Level	Description
1	FG	H/L	Fram e ground	8	C/D	L	Code/data
2	VSS 0V		Ground	9	Vout		Output Volage
3	VDD +5V		Supply Voltage for Logic	10	RES	L	Controller Reset
4	V0		Operating Voltage for LCD	11~18	DB0~DB7	H/L	Data Bus
5	/WR	H/L	Write Signal	19	FS	H/L	Font select
6	/RD	H/L	Read Signal	20	NC		
7	/CE	L	Chip Enable	A	K		Power supply for LED

